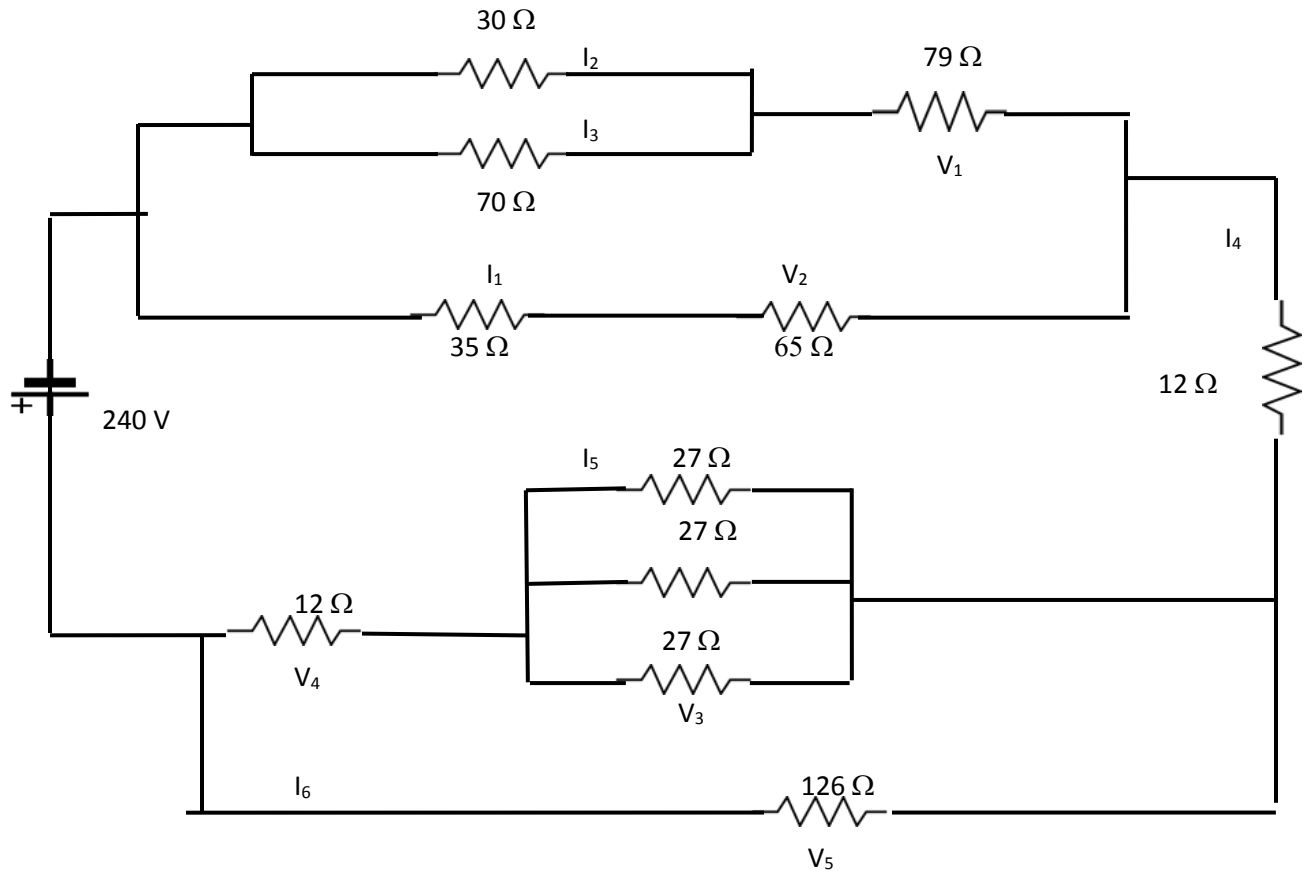


UCONN Electrical Circuits  
 Series and Parallel  
 Practice Quiz A,B,C,D

Name: \_\_\_\_\_  
 Date: \_\_\_\_\_ Period \_\_\_\_\_

1. Determine the voltage and current in the below diagram, and place your answer in the spaces below. 15 pts.



- |               |               |
|---------------|---------------|
| $R_T =$ _____ | $V_T =$ _____ |
| $I_T =$ _____ | $V_1 =$ _____ |
| $I_1 =$ _____ | $V_2 =$ _____ |
| $I_2 =$ _____ | $V_3 =$ _____ |
| $I_3 =$ _____ | $V_4 =$ _____ |
| $I_4 =$ _____ | $V_5 =$ _____ |
| $I_5 =$ _____ |               |
| $I_6 =$ _____ |               |

Answers:

$$R_T = \underline{80 \Omega}$$

$$V_T = \underline{240 V}$$

$$I_T = \underline{3 A}$$

$$V_1 = \underline{118.5 V}$$

$$I_1 = \underline{1.5 A}$$

$$V_2 = \underline{97.5 V}$$

$$I_2 = \underline{1.05 A}$$

$$V_3 = \underline{23.14 V}$$

$$I_3 = \underline{0.45 A}$$

$$V_4 = \underline{30.86 V}$$

$$I_4 = \underline{3 A}$$

$$V_5 = \underline{54 V}$$

$$I_5 = \underline{0.86}$$

$$I_6 = \underline{0.43}$$