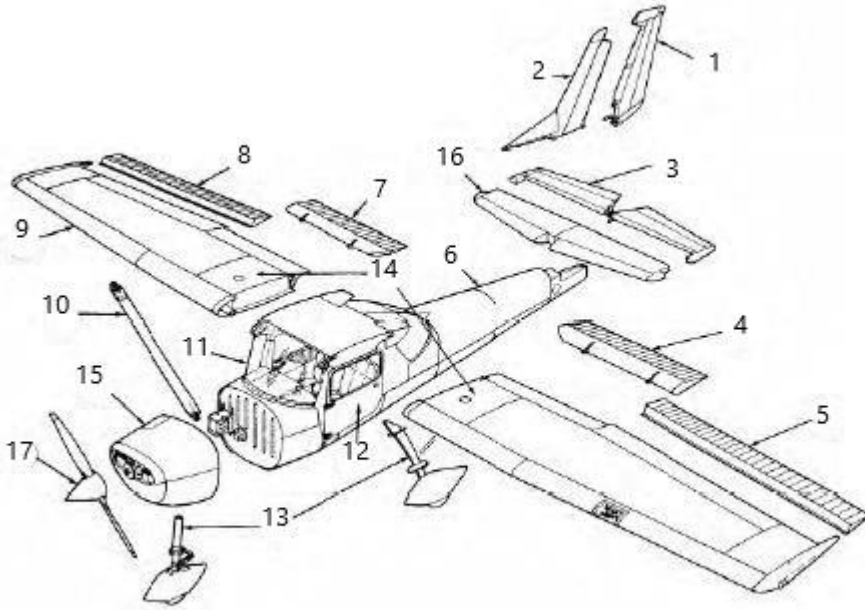


Matching:

Directions: Match the items in the left-hand column with those on the right-hand side.

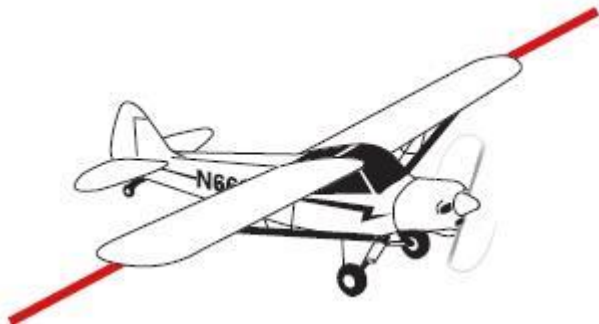
Identify each of the parts of the airplane by placing the correct letter with the part of the airplane that matches.



- |                                 |       |
|---------------------------------|-------|
| 1) _____ Rudder                 | a) 1  |
| 2) _____ Vertical Stabilizer    | b) 2  |
| 3) _____ Elevator               | c) 3  |
| 4) _____ Left Flap              | d) 4  |
| 5) _____ Left Aileron           | e) 5  |
| 6) _____ Fuselage               | f) 6  |
| 7) _____ Right Flap             | g) 7  |
| 8) _____ Right Aileron          | h) 8  |
| 9) _____ Wing                   | i) 9  |
| 10) _____ Strut                 | j) 10 |
| 11) _____ Windshield            | k) 11 |
| 12) _____ Door                  | l) 12 |
| 13) _____ Landing Gear          | m) 13 |
| 14) _____ Fuel Tanks            | n) 14 |
| 15) _____ Engine Cowl           | o) 15 |
| 16) _____ Horizontal Stabilizer | p) 16 |
| 17) _____ Propeller             | q) 17 |

Multiple Choice: Choose only the best answer to each question.

18) In the diagram below determine what axis the red line indicates.



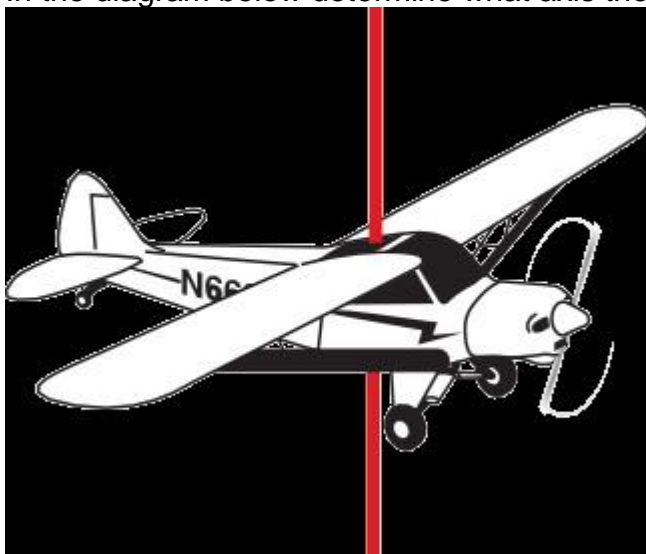
- a) Longitudinal Axis
- b) Vertical Axis
- c) Lateral axis

19) In the diagram below determine what axis the red line indicates.



- a) Longitudinal Axis
- b) Vertical Axis
- c) Lateral axis

20) In the diagram below determine what axis the red line indicates.



- a) Longitudinal Axis
- b) Vertical Axis
- c) Lateral axis

