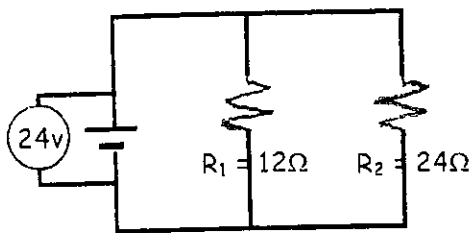
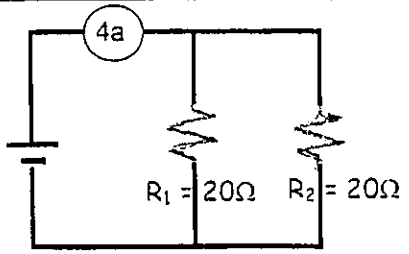
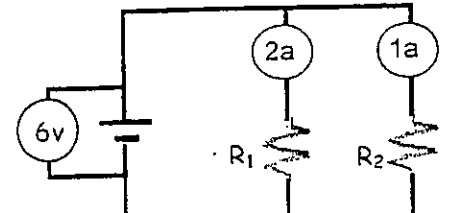
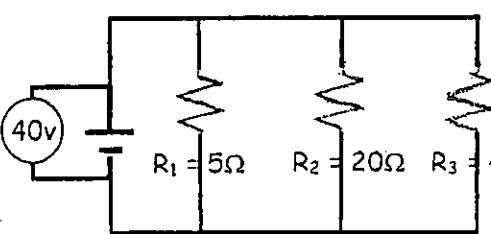
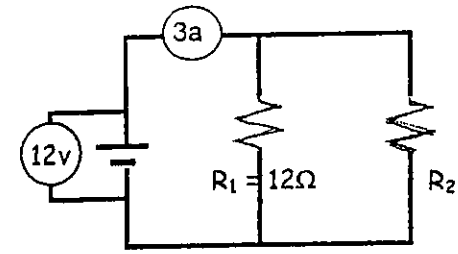
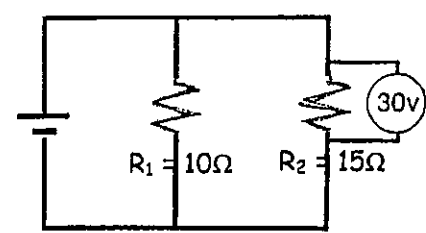


Worksheet: Parallel Circuit Problems - Episode904 Name _____

Remember that in a parallel circuit:

- the current in the branches of the circuit (is the same, adds up).
- the voltage drops across each branch (is the same, adds up to) the total voltage.
- to calculate total resistance, (add, use reciprocals).

| | |
|--|---|
|  <p> $R_{eq} = \underline{\hspace{2cm}}$ $I_T = \underline{\hspace{2cm}}$ $V_1 = \underline{\hspace{2cm}}$ $V_2 = \underline{\hspace{2cm}}$ $I_1 = \underline{\hspace{2cm}}$ $I_2 = \underline{\hspace{2cm}}$ </p> |  <p> $R_{eq} = \underline{\hspace{2cm}}$ $I_T = \underline{\hspace{2cm}}$ $V_T = \underline{\hspace{2cm}}$ $V_1 = \underline{\hspace{2cm}}$ $I_1 = \underline{\hspace{2cm}}$ $I_2 = \underline{\hspace{2cm}}$ </p> |
|  <p> $V_1 = \underline{\hspace{2cm}}$ $V_2 = \underline{\hspace{2cm}}$ $R_1 = \underline{\hspace{2cm}}$ $R_2 = \underline{\hspace{2cm}}$ $R_{eq} = \underline{\hspace{2cm}}$ $I_1 = \underline{\hspace{2cm}}$ $I_2 = \underline{\hspace{2cm}}$ $I_T = \underline{\hspace{2cm}}$ </p> |  <p> $R_{eq} = \underline{\hspace{2cm}}$ $I_T = \underline{\hspace{2cm}}$ $V_1 = \underline{\hspace{2cm}}$ $V_2 = \underline{\hspace{2cm}}$ $V_3 = \underline{\hspace{2cm}}$ $I_1 = \underline{\hspace{2cm}}$ $I_2 = \underline{\hspace{2cm}}$ $I_3 = \underline{\hspace{2cm}}$ </p> |
|  <p> $V_1 = \underline{\hspace{2cm}}$ $V_2 = \underline{\hspace{2cm}}$ $I_T = \underline{\hspace{2cm}}$ $I_1 = \underline{\hspace{2cm}}$ $I_2 = \underline{\hspace{2cm}}$ $R_2 = \underline{\hspace{2cm}}$ $R_{eq} = \underline{\hspace{2cm}}$ </p> |  <p> $V_1 = \underline{\hspace{2cm}}$ $V_T = \underline{\hspace{2cm}}$ $I_1 = \underline{\hspace{2cm}}$ $I_2 = \underline{\hspace{2cm}}$ $R_{eq} = \underline{\hspace{2cm}}$ $I_T = \underline{\hspace{2cm}}$ </p> |