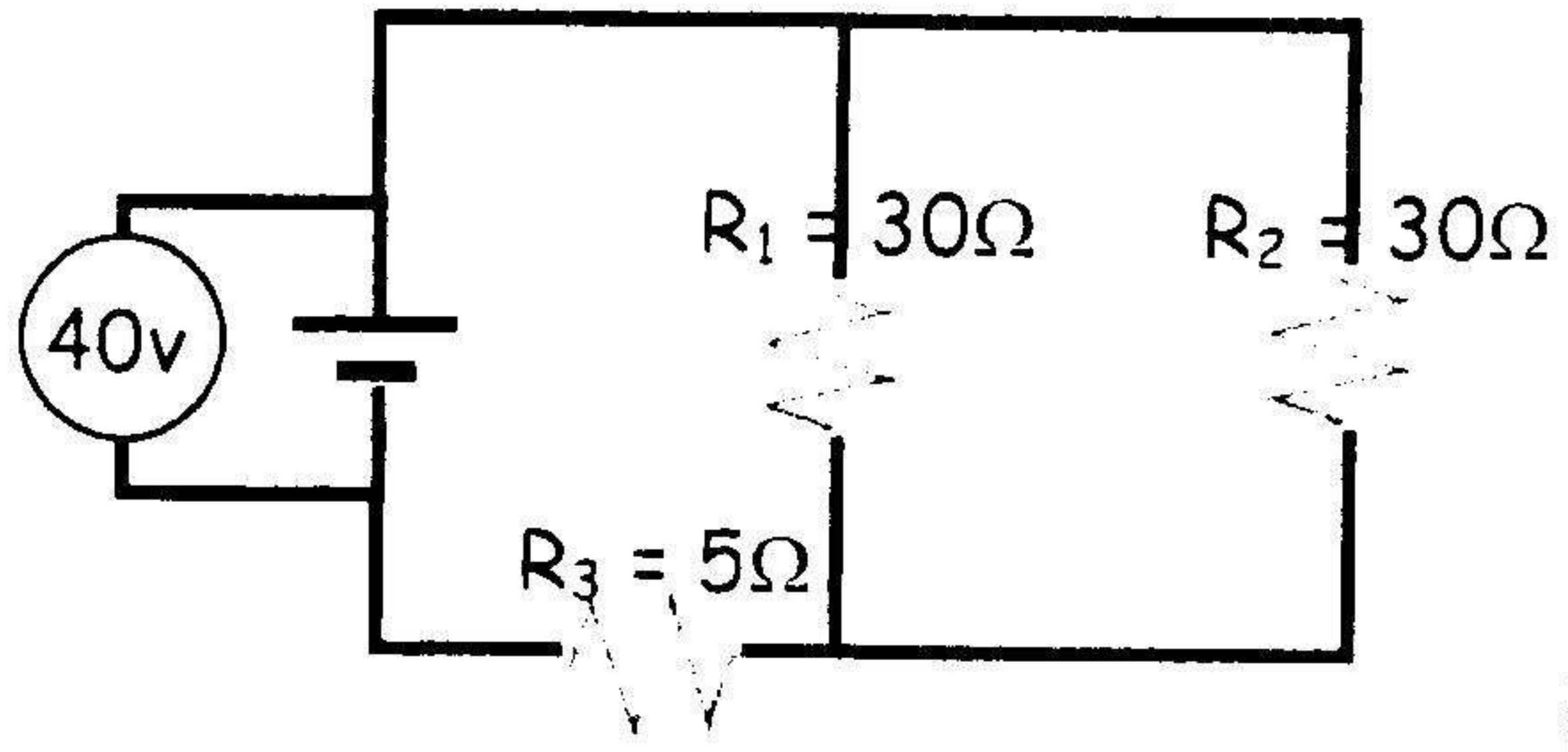
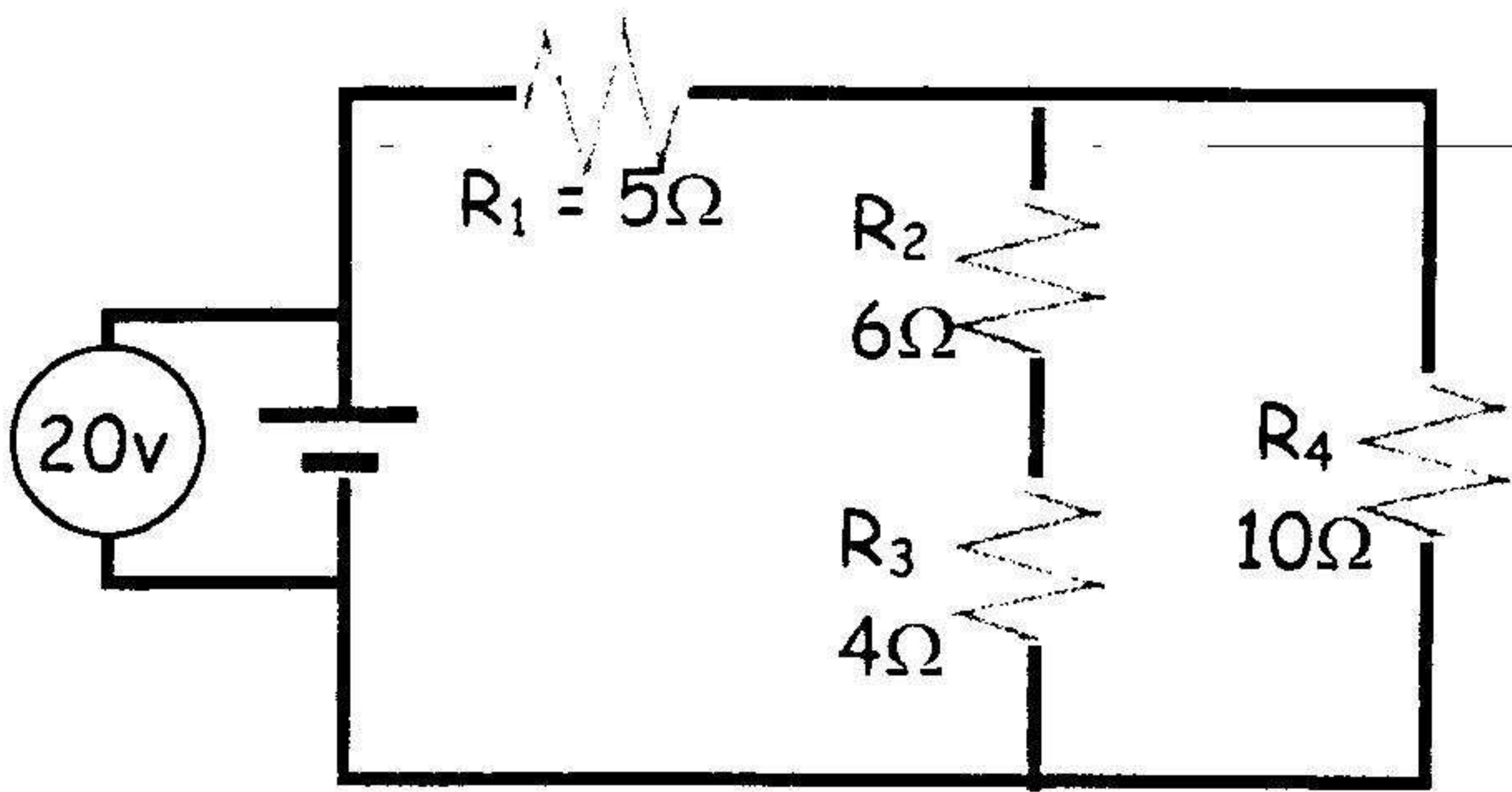


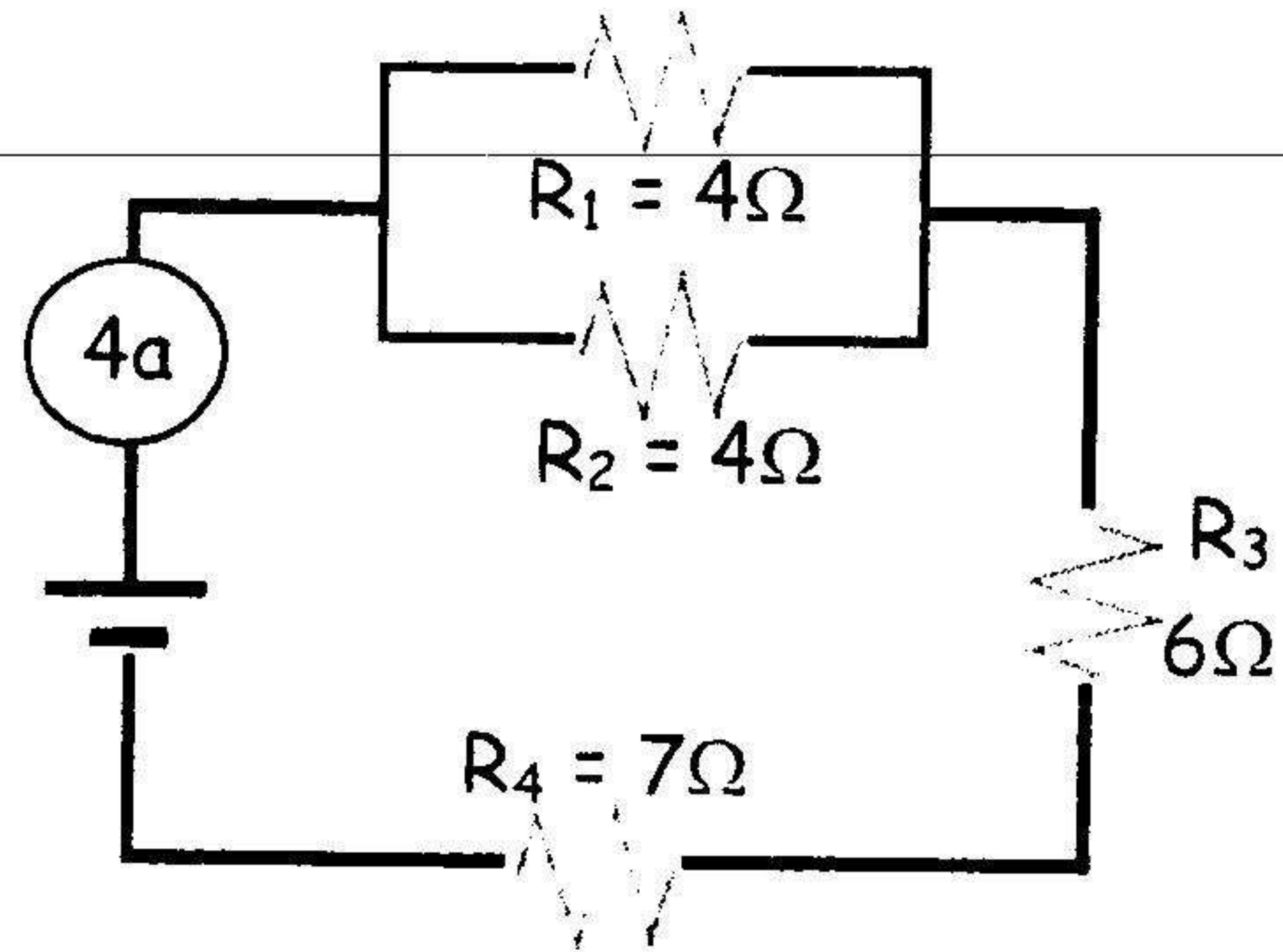
$R_T = \underline{\hspace{2cm}}$ $I_T = \underline{\hspace{2cm}}$ $V_T = \underline{\hspace{2cm}}$
 $V_1 = \underline{\hspace{2cm}}$ $V_2 = \underline{\hspace{2cm}}$ $V_3 = \underline{\hspace{2cm}}$



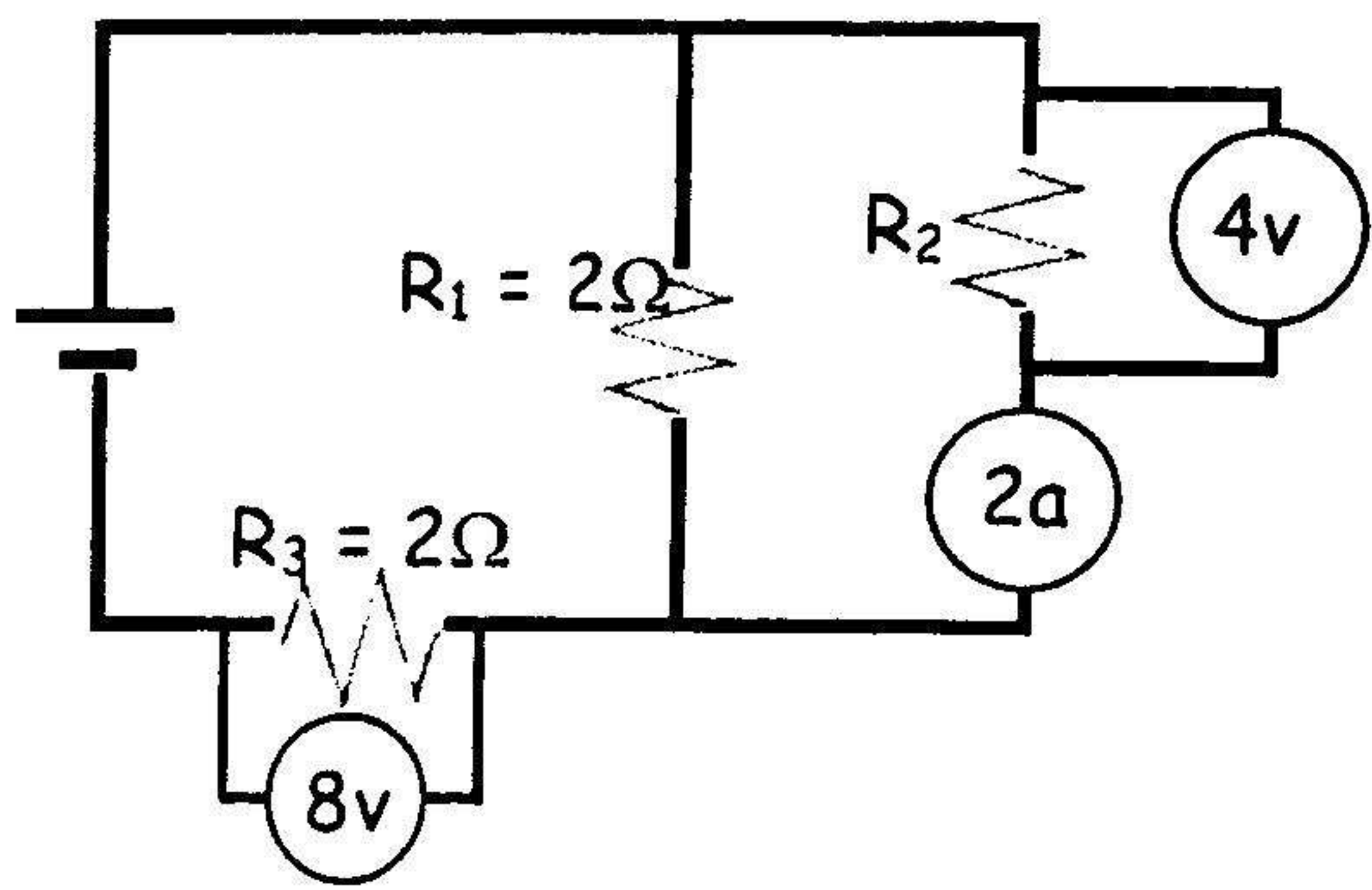
$R_T = \underline{\hspace{2cm}}$ $I_T = \underline{\hspace{2cm}}$ $I_3 = \underline{\hspace{2cm}}$
 $V_3 = \underline{\hspace{2cm}}$ $V_1 = \underline{\hspace{2cm}}$ $V_2 = \underline{\hspace{2cm}}$
 $I_1 = \underline{\hspace{2cm}}$ $I_2 = \underline{\hspace{2cm}}$



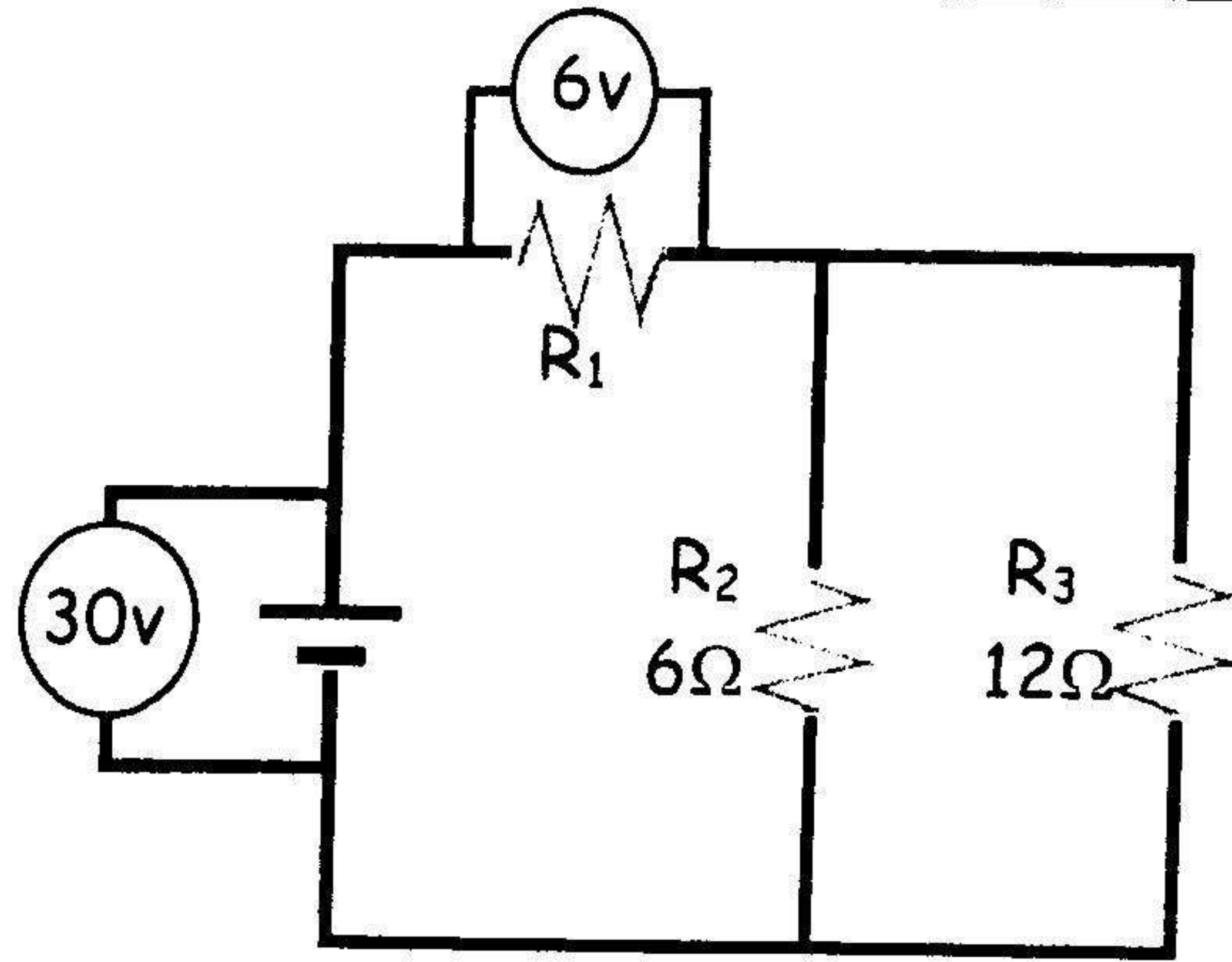
$R_T = \underline{\hspace{2cm}}$ $I_T = \underline{\hspace{2cm}}$ $I_1 = \underline{\hspace{2cm}}$
 $V_1 = \underline{\hspace{2cm}}$ $V_4 = \underline{\hspace{2cm}}$ $I_4 = \underline{\hspace{2cm}}$



$R_T = \underline{\hspace{2cm}}$ $I_T = \underline{\hspace{2cm}}$ $V_T = \underline{\hspace{2cm}}$
 $I_1 = \underline{\hspace{2cm}}$ $I_3 = \underline{\hspace{2cm}}$ $V_4 = \underline{\hspace{2cm}}$



$R_2 = \underline{\hspace{2cm}}$ $R_T = \underline{\hspace{2cm}}$
 $I_3 = \underline{\hspace{2cm}}$ $I_T = \underline{\hspace{2cm}}$ $V_T = \underline{\hspace{2cm}}$
 $V_1 = \underline{\hspace{2cm}}$ $I_1 = \underline{\hspace{2cm}}$



$V_2 = \underline{\hspace{2cm}}$ $V_3 = \underline{\hspace{2cm}}$
 $I_2 = \underline{\hspace{2cm}}$ $I_3 = \underline{\hspace{2cm}}$
 $I_1 = \underline{\hspace{2cm}}$ $R_1 = \underline{\hspace{2cm}}$ $R_T = \underline{\hspace{2cm}}$