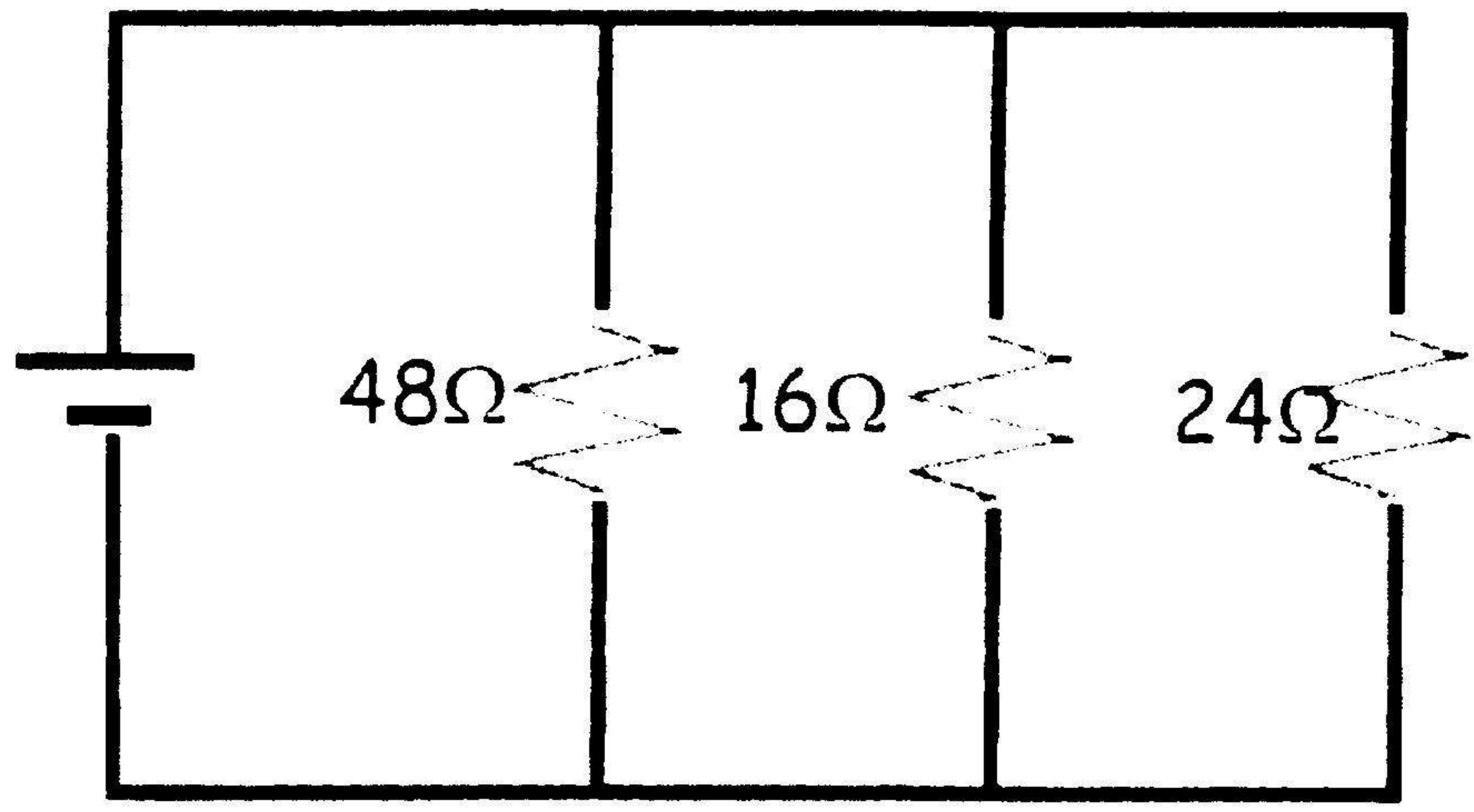
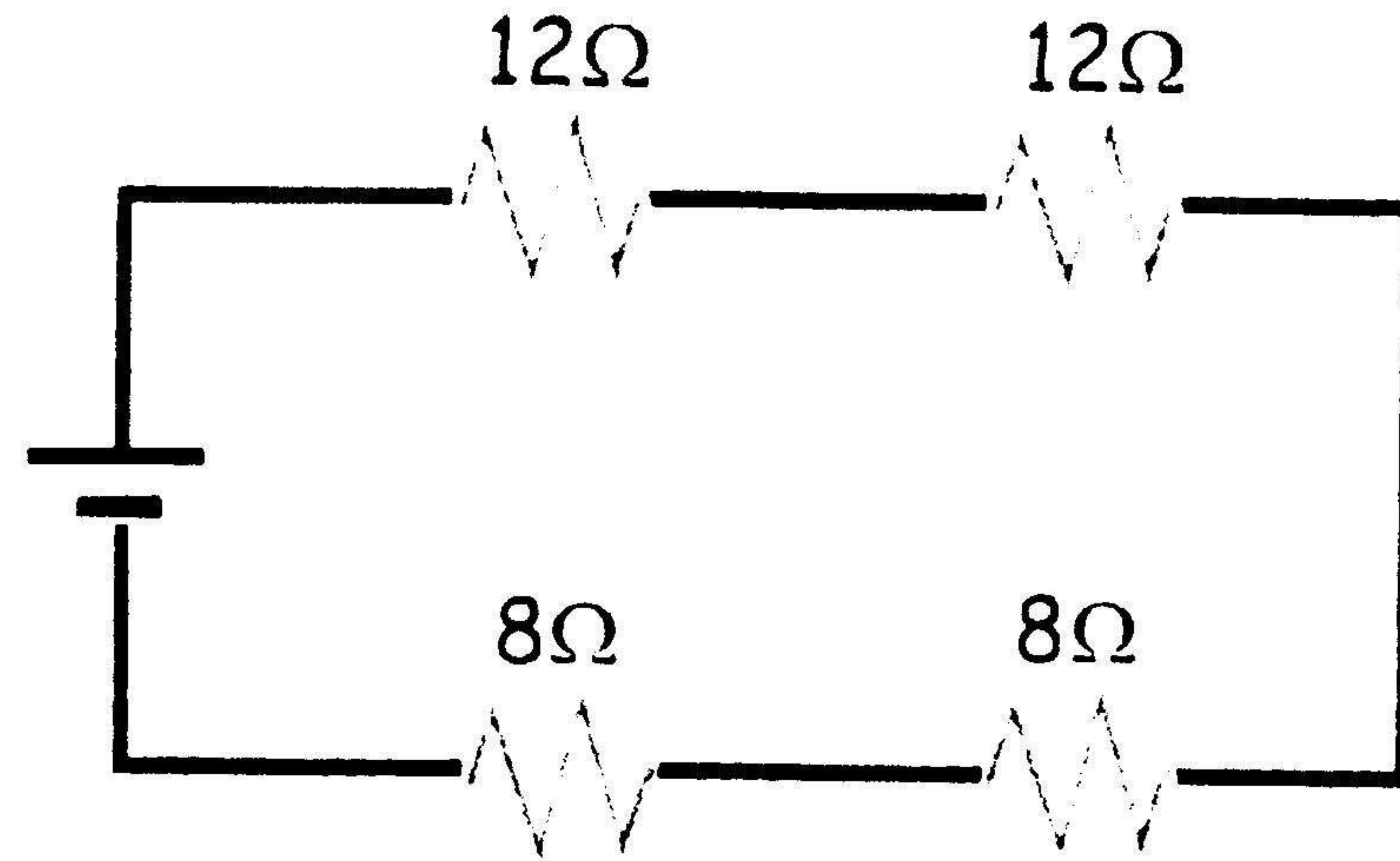


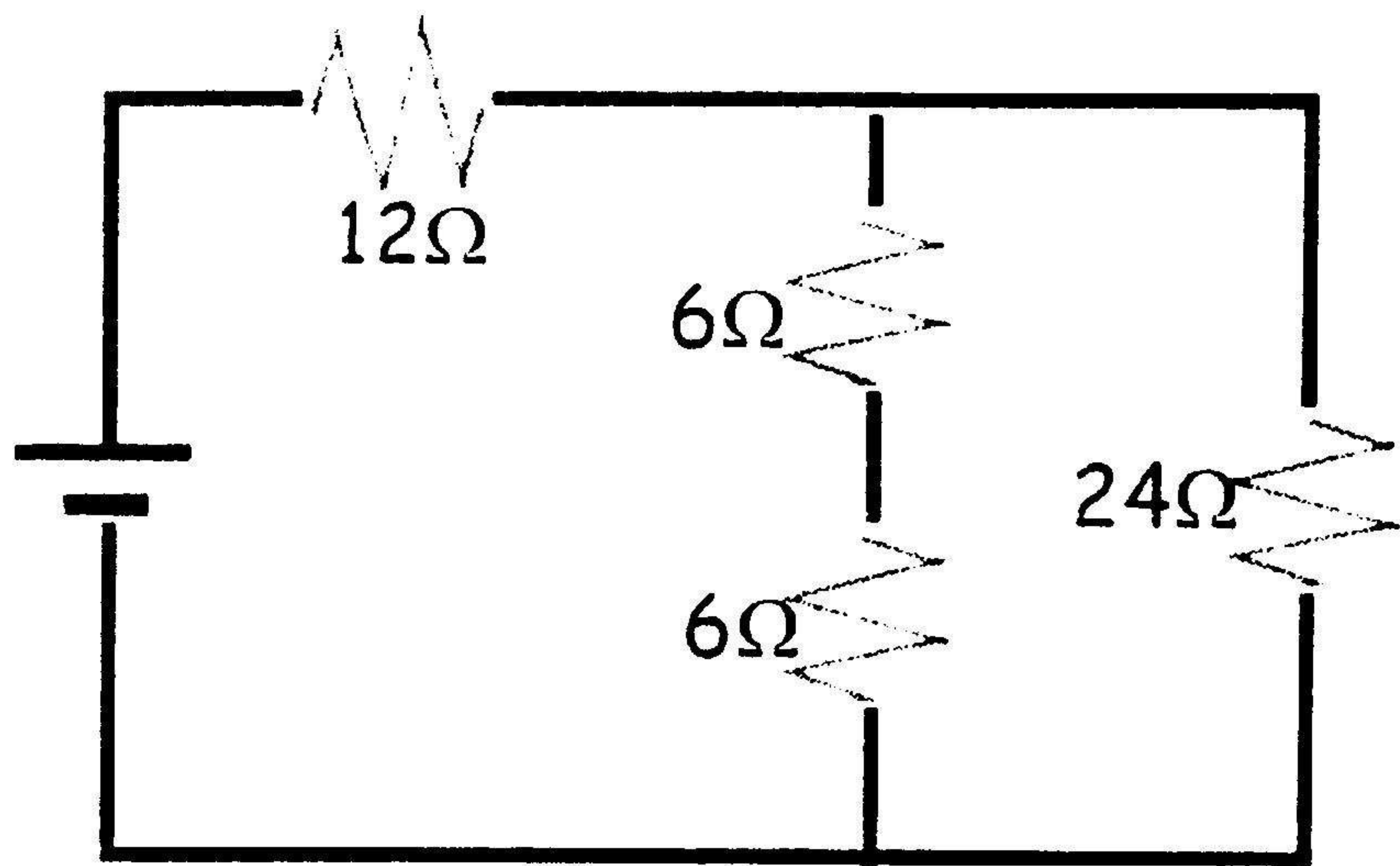
Calculate the total resistance of each circuit:



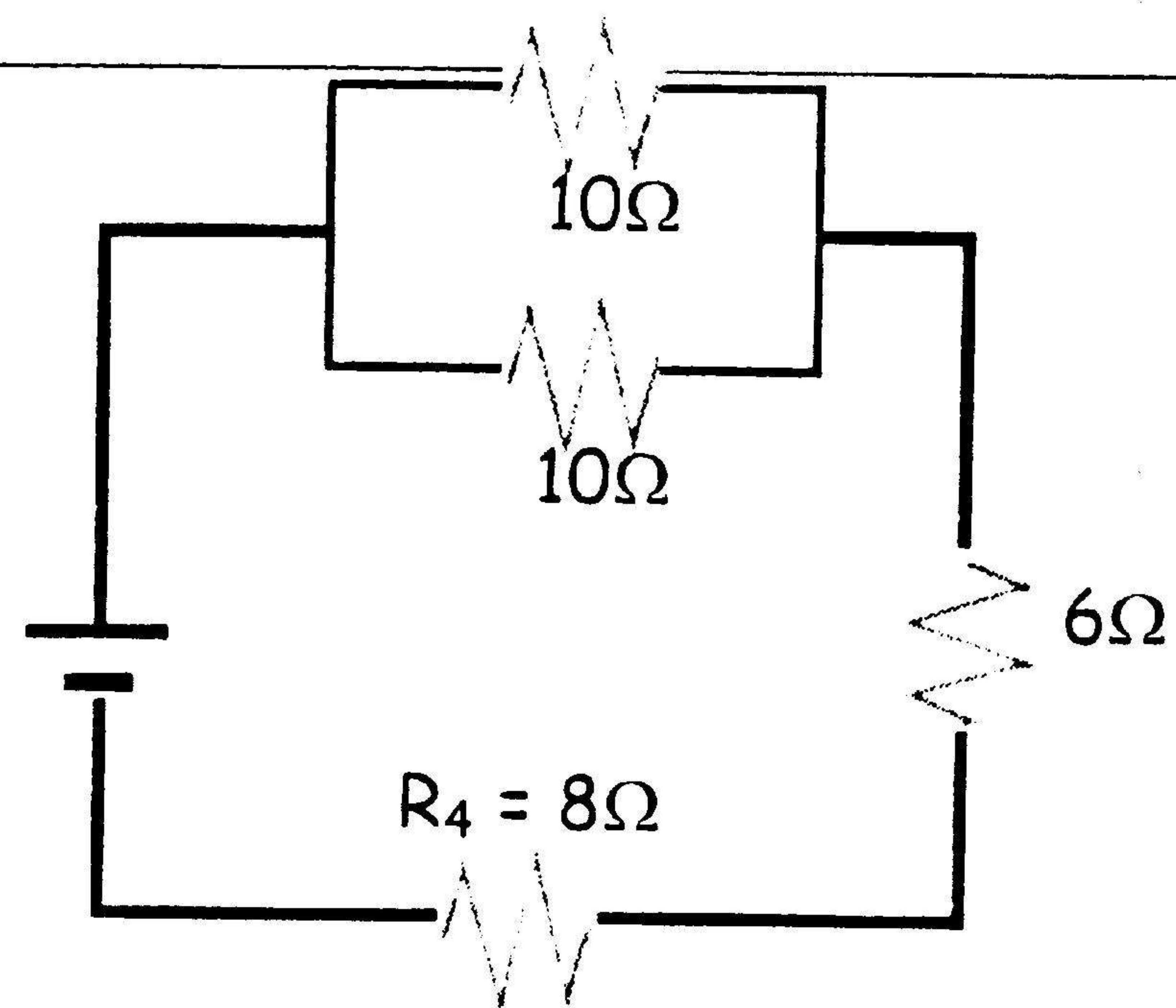
$R_T = \underline{\hspace{2cm}}$



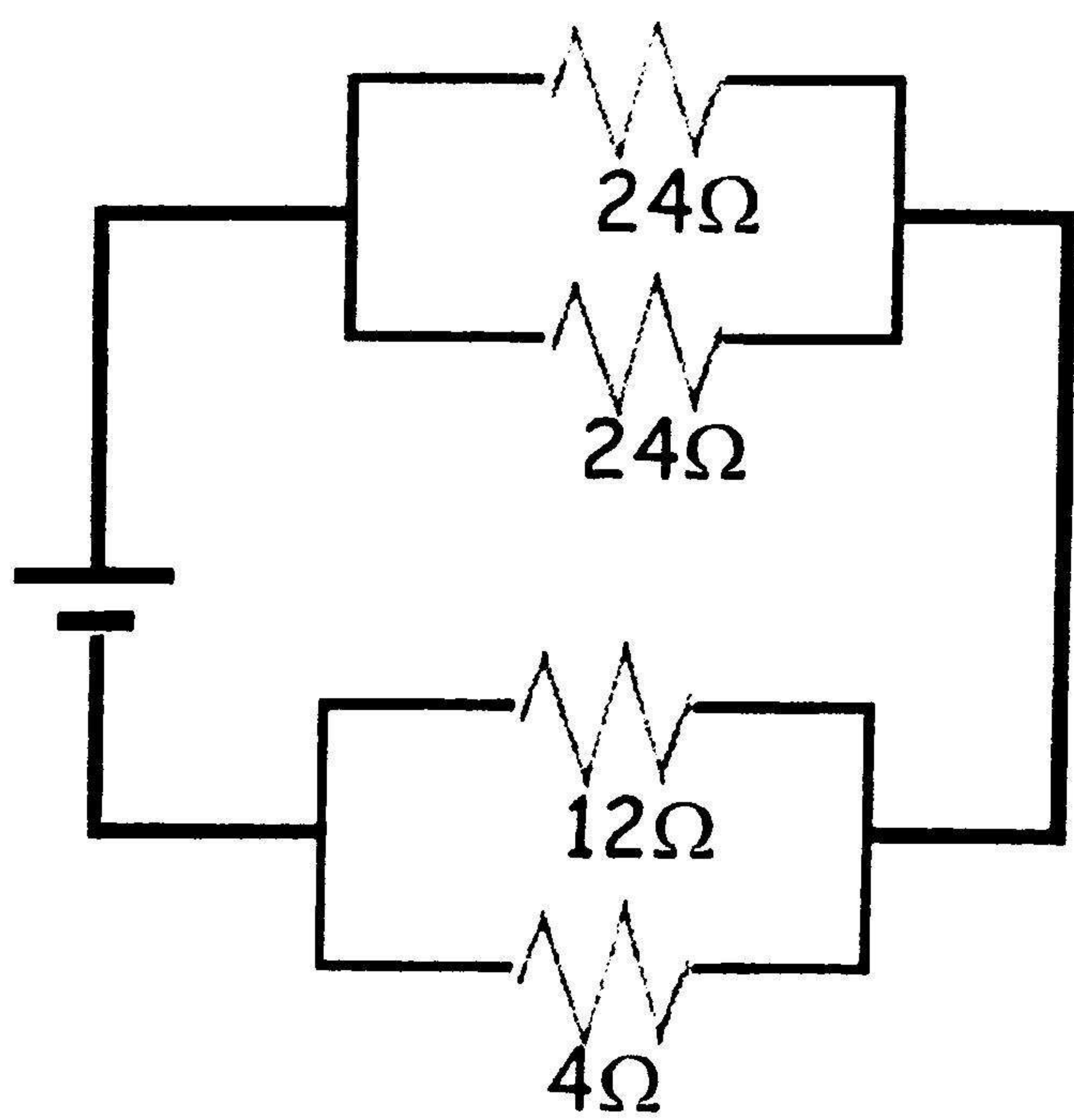
$R_T = \underline{\hspace{2cm}}$



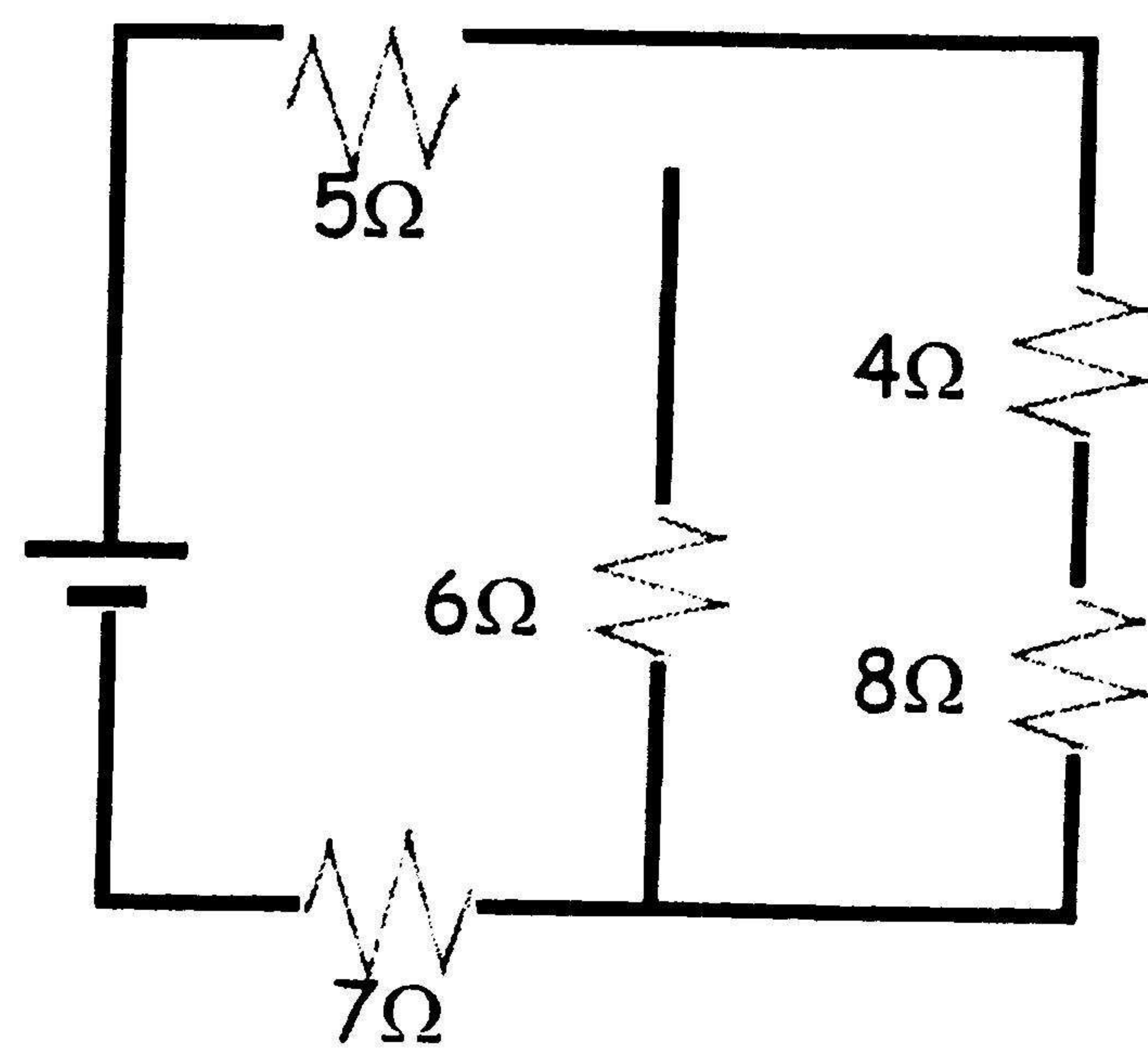
$R_T = \underline{\hspace{2cm}}$



$R_T = \underline{\hspace{2cm}}$



$R_T = \underline{\hspace{2cm}}$



$R_T = \underline{\hspace{2cm}}$